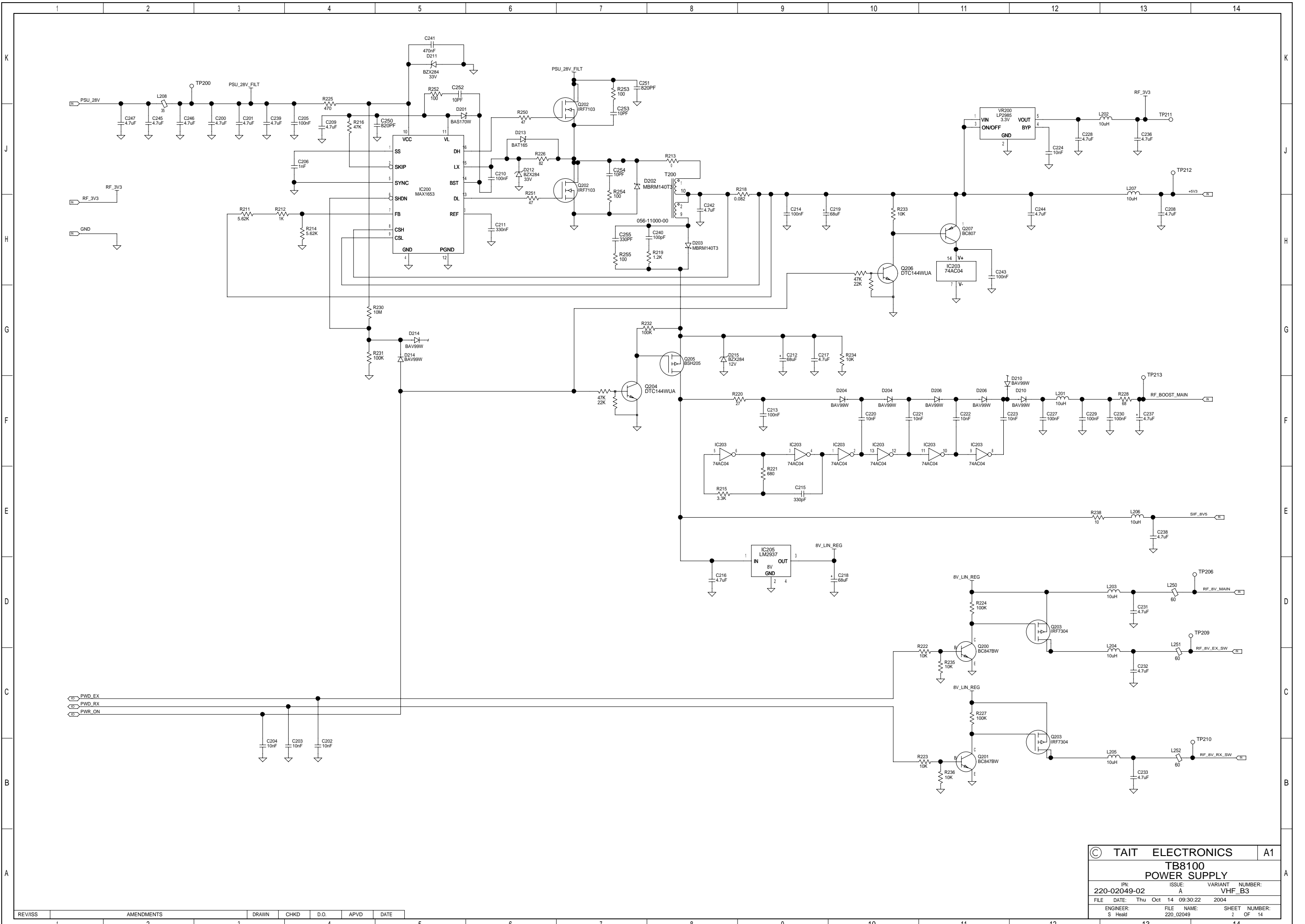


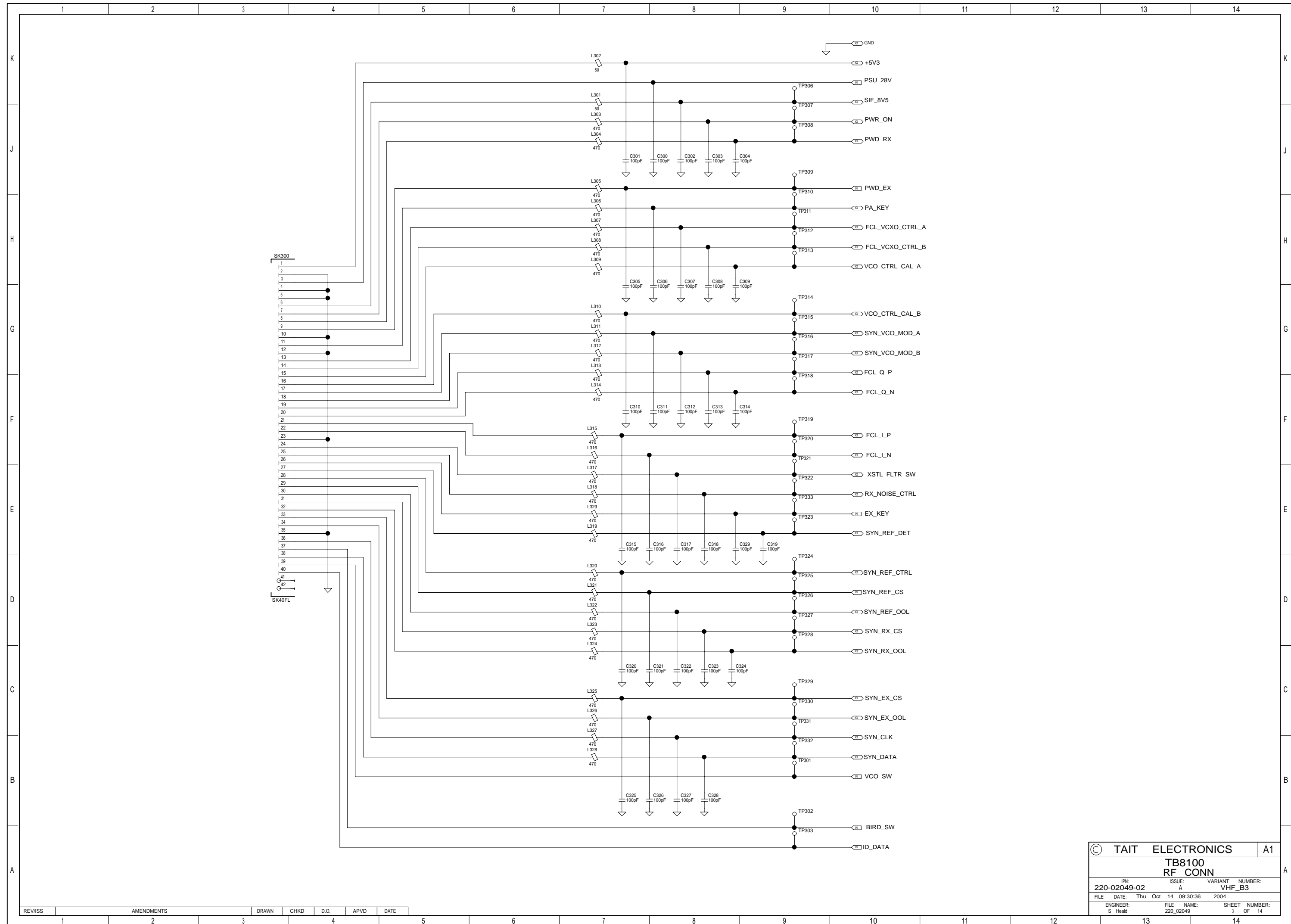
02A	DCO 02049-001	UPDATE FOR D3 PERFORMANCE	CJK	SH	CJK	SH	05OCT04
01A	INITIAL	DESIGN	MODIFIED	FORM 226-00297-02	CJK	SH	16/06/04
REVISS	AMENDMENTS		DRAWN	CHKD	D.O.	APVD	DATE

© TAIT ELECTRONICS		A1
TB8100		
VHF RECITER RF TOP LEVEL		
IPN:	ISSUE:	VARIANT NUMBER:
220-02049-02	A	VHF_B3
FILE DATE:	Thu Oct 14 09:30:03 2004	
ENGINEER:	FILE NAME:	SHEET NUMBER:
S Heald	220_02049	1 OF 14



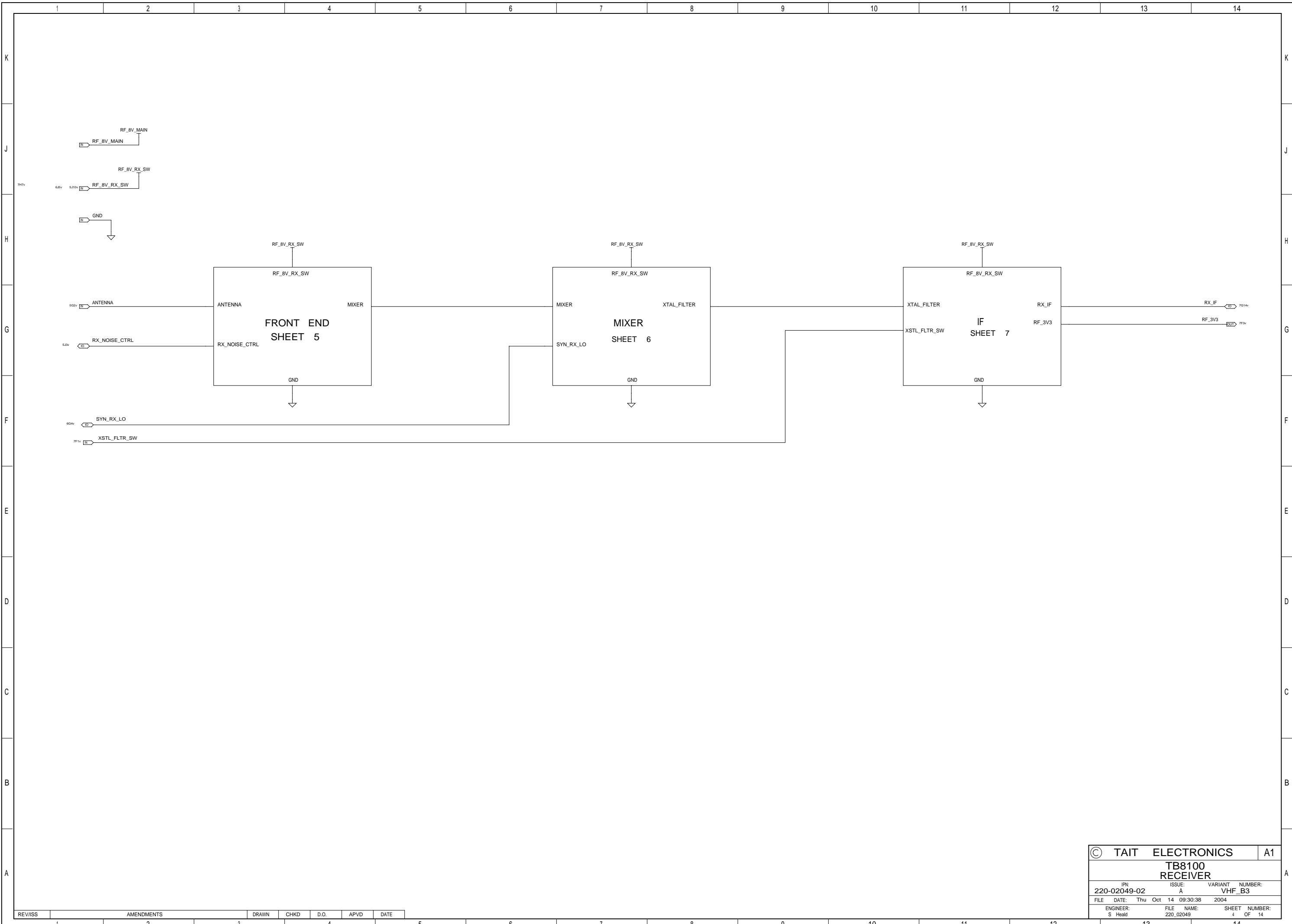
© TAIT ELECTRONICS		A1
TB8100 POWER SUPPLY		
IPN: 220-02049-02	ISSUE: A	VARIANT NUMBER: VHF_B3
FILE DATE: Thu Oct 14 09:30:22 2004	ENGINEER: S Heald	FILE NAME: 220_02049
SHEET NUMBER: 2		OF 14

REV/ISS	AMENDMENTS	DRAWN	CHKD	D.O.	APVD	DATE
1						
2						
3						
4						
5						
6						
7						
8						
9						
10						
11						
12						
13						
14						



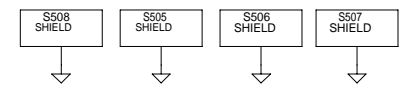
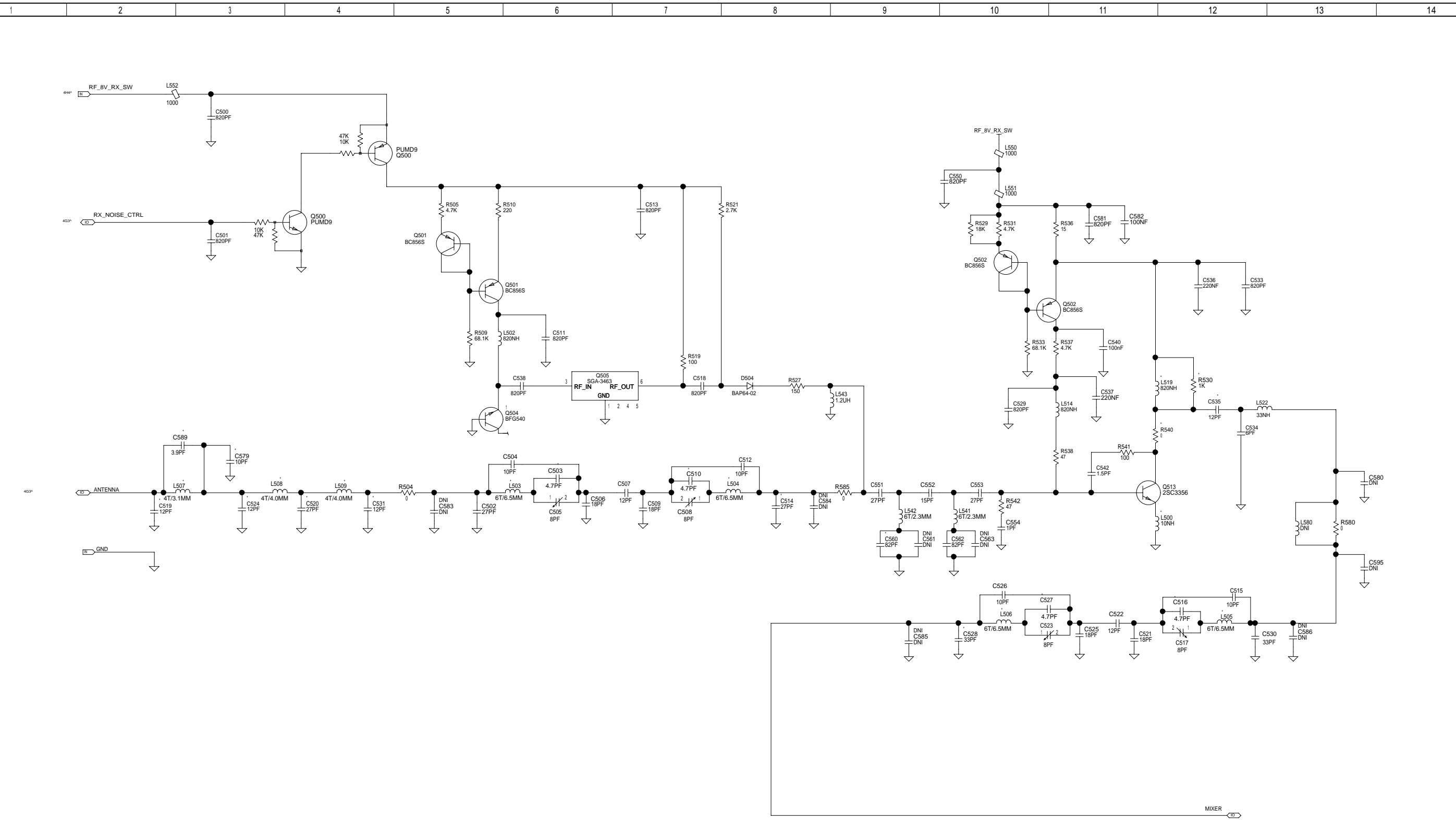
© TAIT ELECTRONICS		A1
TB8100		
RF CONN		
IPN:	ISSUE:	VARIANT NUMBER:
220-02049-02	A	VHF_B3
FILE DATE:	Thu Oct 14 09:30:36 2004	
ENGINEER:	FILE NAME:	SHEET NUMBER:
S Heald	220_02049	3 OF 14

REV/ISS	AMENDMENTS	DRAWN	CHKD	D.O.	APVD	DATE
1						



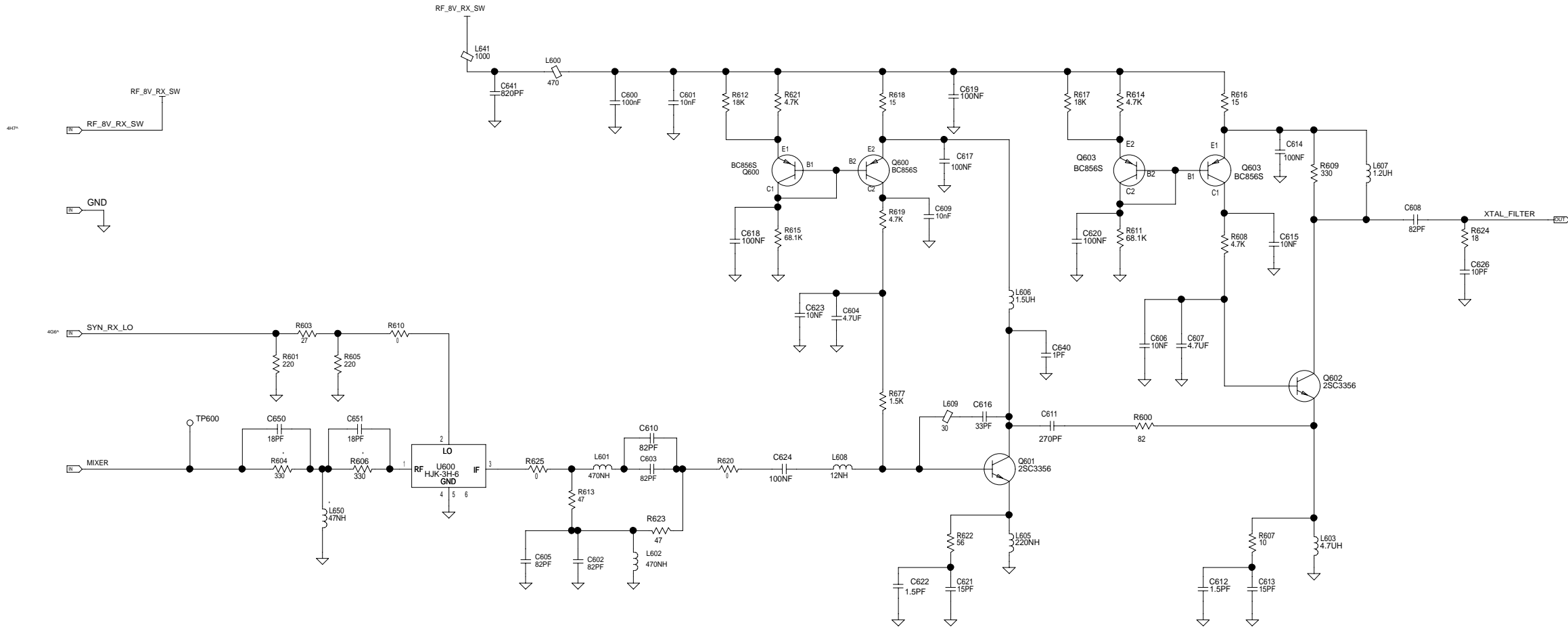
© TAIT ELECTRONICS		A1
TB8100 RECEIVER		
IPN: 220-02049-02	ISSUE: A	VARIANT NUMBER: VHF_B3
FILE DATE: Thu Oct 14 09:30:38 2004		
ENGINEER: S Heald	FILE NAME: 220_02049	SHEET NUMBER: 4 OF 14

REV/ISS	AMENDMENTS	DRAWN	CHKD	D.O.	APVD	DATE
1						
2						
3						
4						
5						
6						
7						
8						
9						
10						
11						
12						
13						
14						



© TAIT ELECTRONICS		A1
TB8100 FRONT END		
IPN: 220-02049-02	ISSUE: A	VARIANT NUMBER: VHF_B3
FILE DATE: Thu Oct 14 09:31:05 2004	ENGINEER: S Heald	FILE NAME: 220_02049
REV/ISS	AMENDMENTS	SHEET NUMBER: 5 OF 14

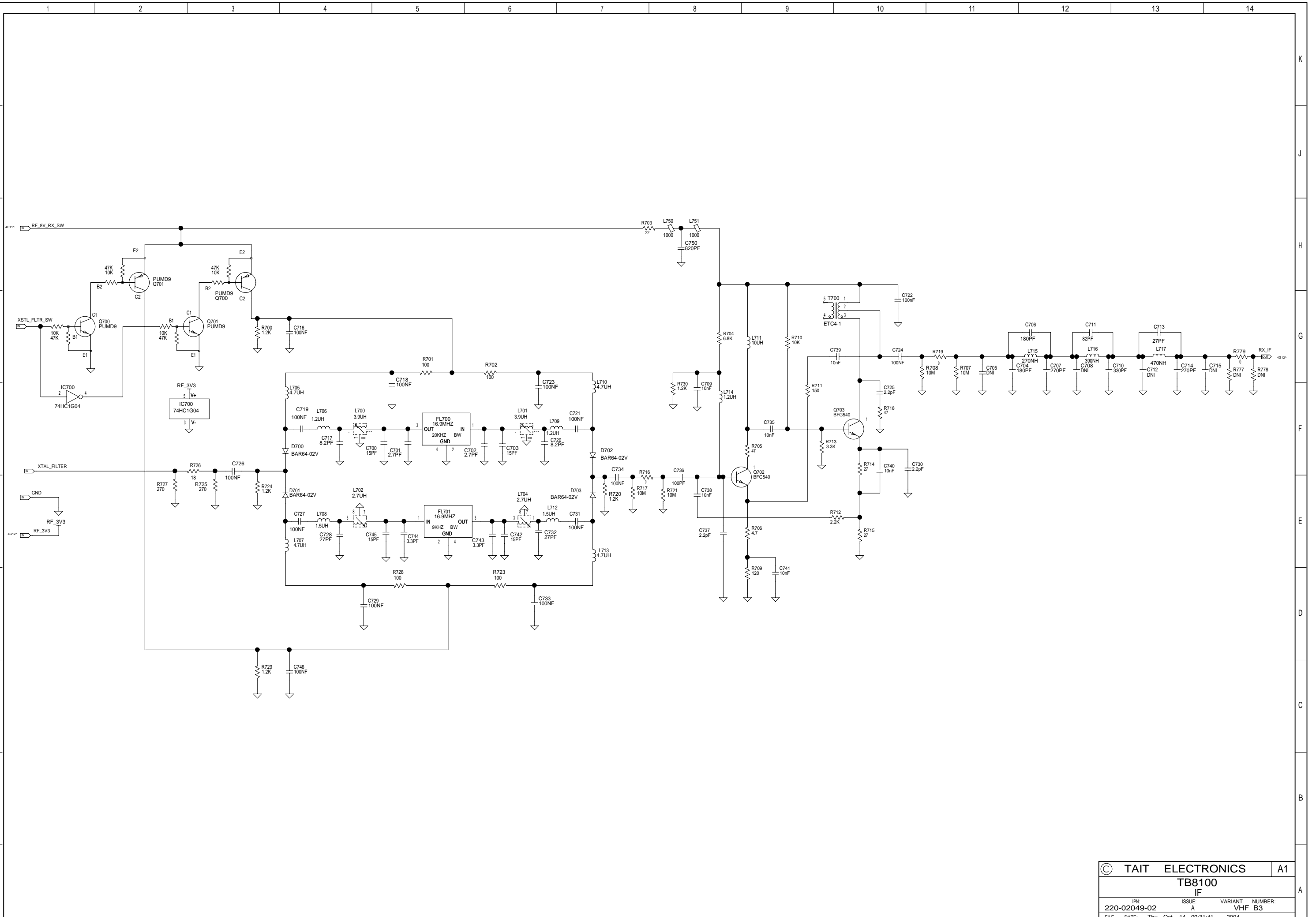
REV/ISS	AMENDMENTS	DRAWN	CHKD	D.O.	APVD	DATE
1						



S605
SHIELD

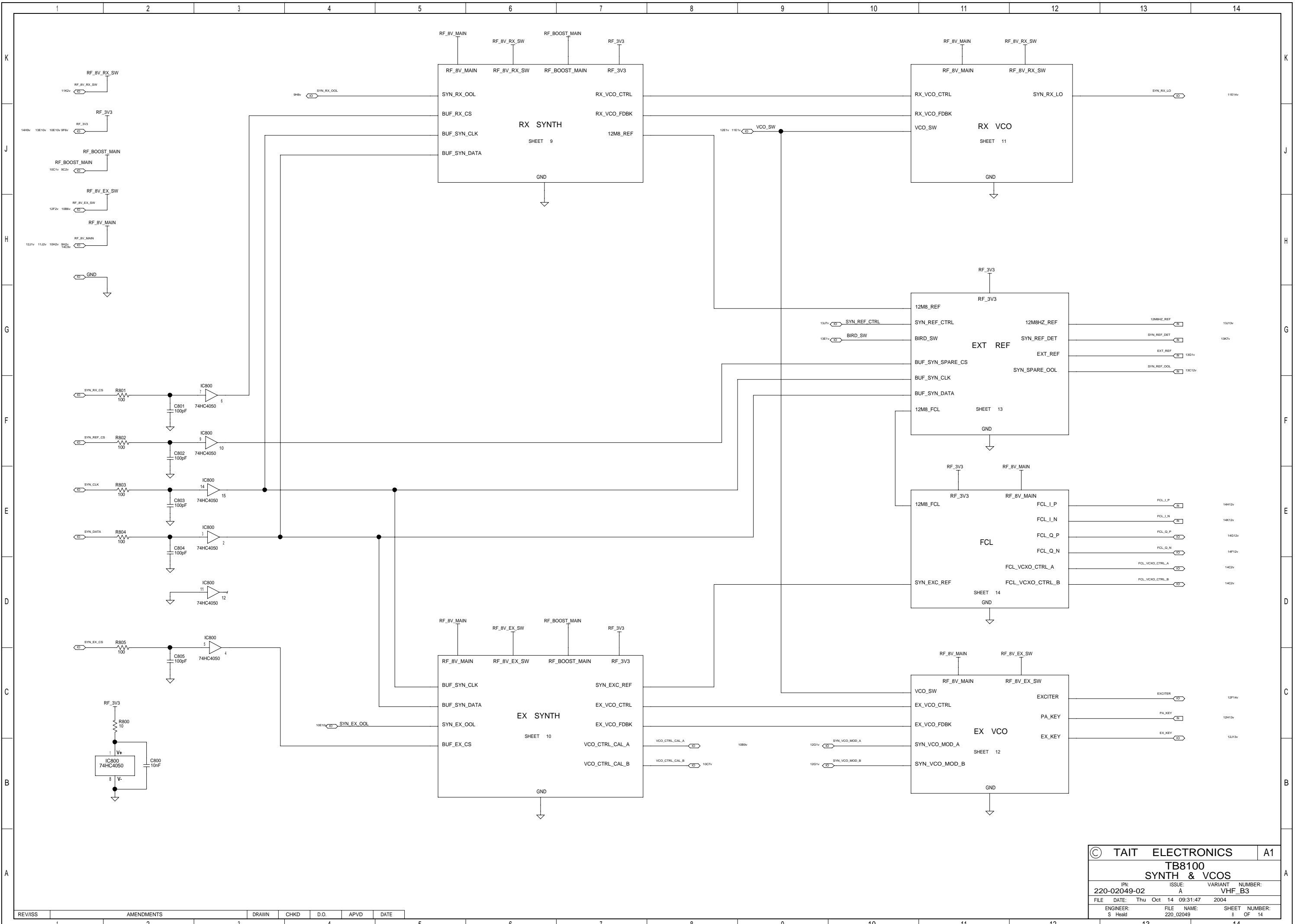
© TAIT ELECTRONICS		A1
TB8100 MIXER		
IPN: 220-02049-02	ISSUE: A	VARIANT NUMBER: VHF_B3
FILE DATE: Thu Oct 14 09:31:25 2004	FILE NAME: 220_02049	SHEET NUMBER: 6 OF 14
ENGINEER: S Heald		

REV/ISS	AMENDMENTS	DRAWN	CHKD	D.O.	APVD	DATE
1						
2						
3						
4						
5						



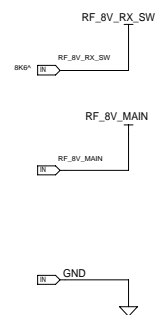
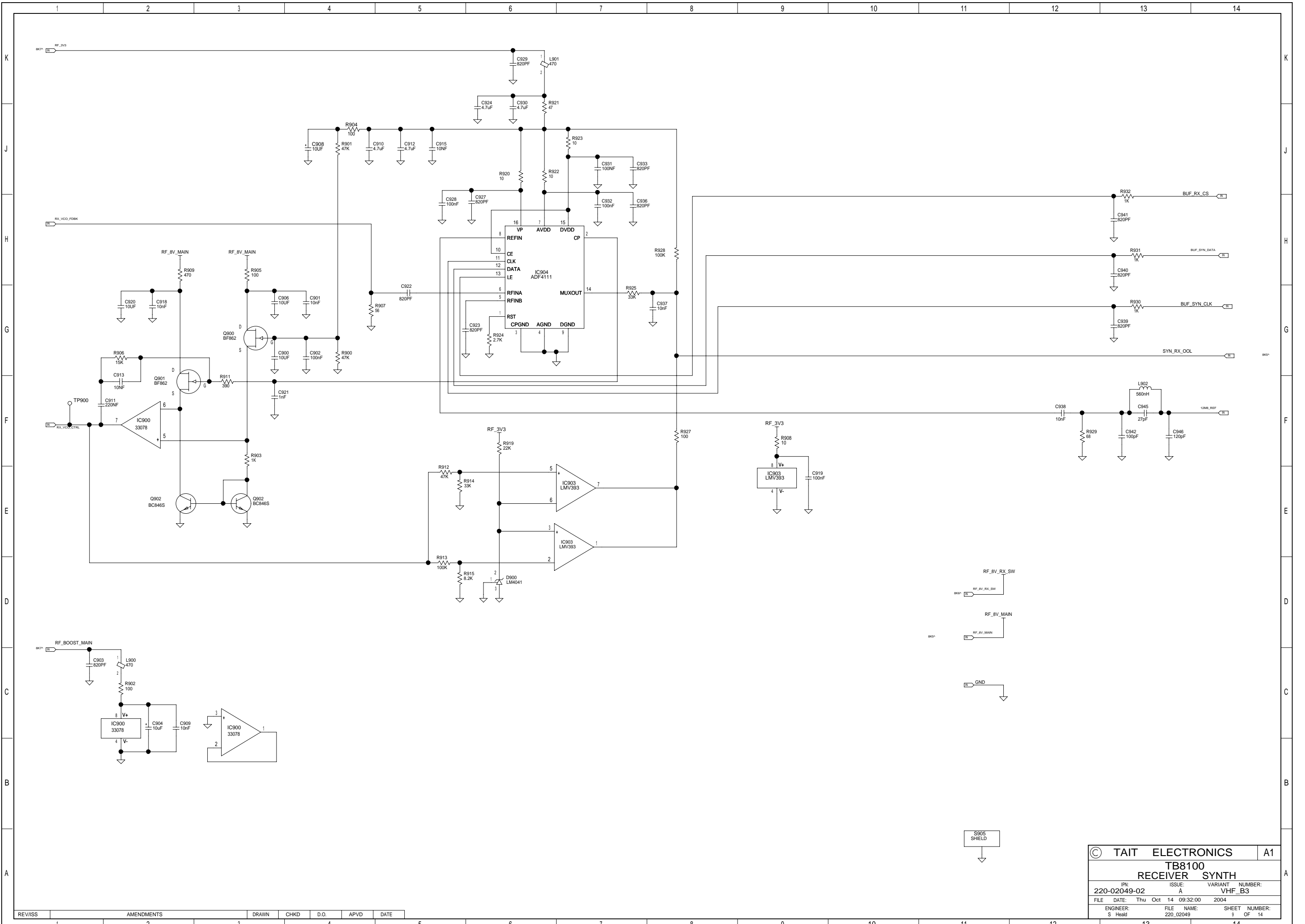
© TAIT ELECTRONICS		A1
TB8100		
IF		
IPN:	ISSUE:	VARIANT NUMBER:
220-02049-02	A	VHF_B3
FILE DATE:	Thu Oct 14 09:31:41	2004
ENGINEER:	FILE NAME:	SHEET NUMBER:
S Heald	220_02049	7 OF 14

REV/ISS	AMENDMENTS	DRAWN	CHKD	D.O.	APVD	DATE
1						



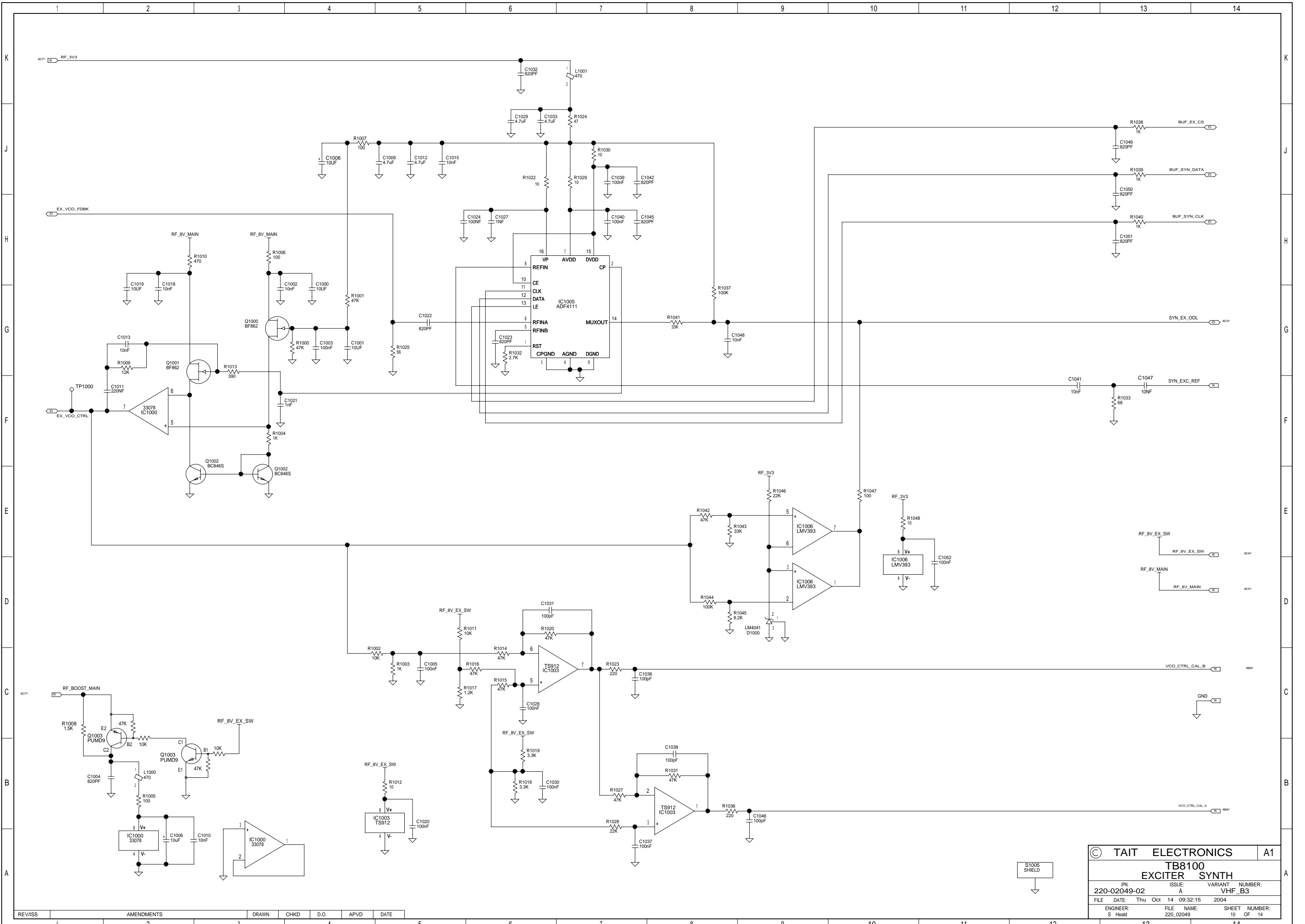
© TAIT ELECTRONICS		A1
TB8100 SYNTH & VCOS		
IPN: 220-02049-02	ISSUE: A	VARIANT NUMBER: VHF_B3
FILE DATE: Thu Oct 14 09:31:47 2004	ENGINEER: S Heald	FILE NAME: 220_02049
REVISIONS	AMENDMENTS	DRAWN CHKD D.O. APVD DATE
1		

REV/ISS	AMENDMENTS	DRAWN	CHKD	D.O.	APVD	DATE
1						



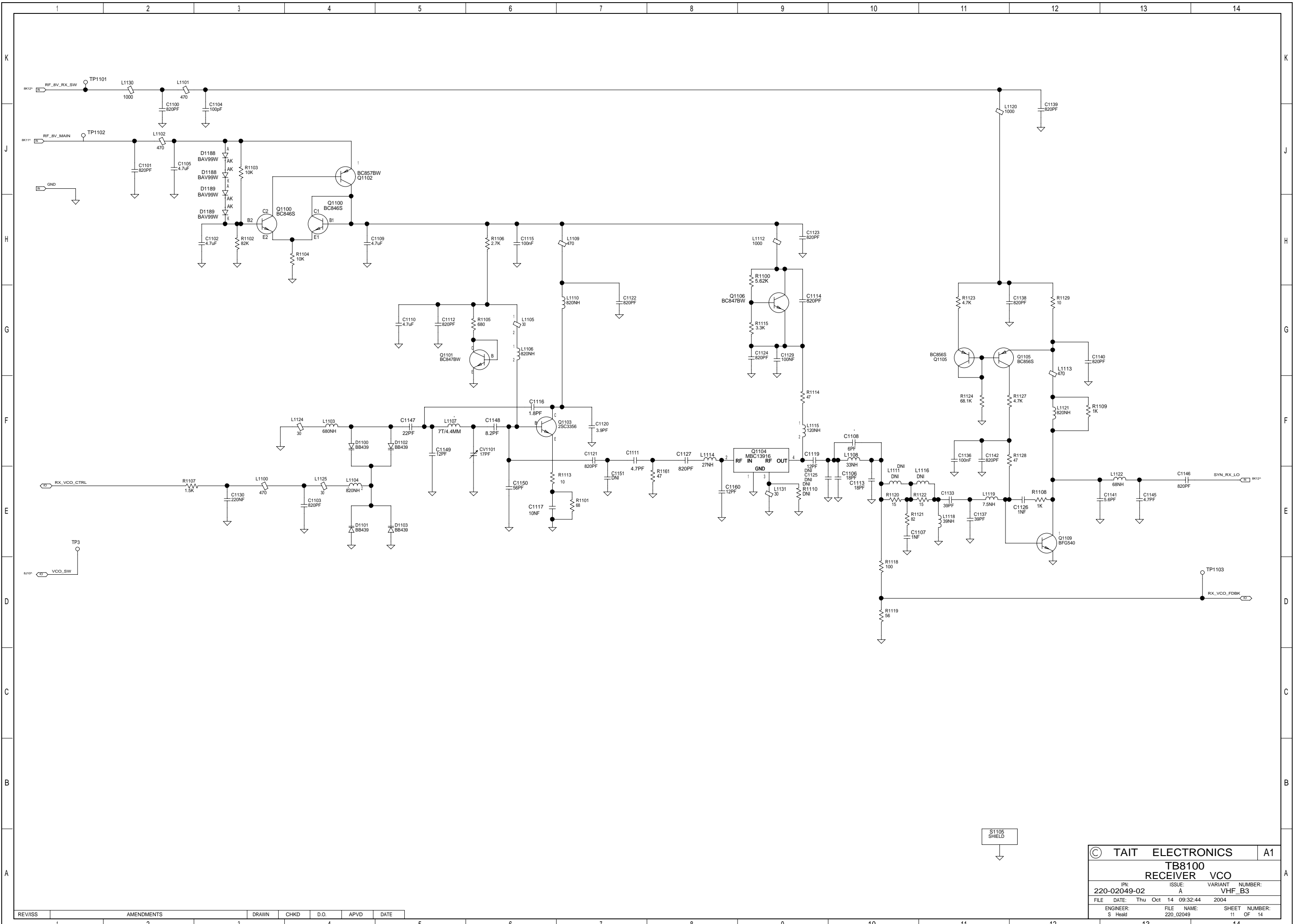
© TAIT ELECTRONICS		A1
TB8100		
RECEIVER SYNTH		
IPN: 220-02049-02	ISSUE: A	VARIANT NUMBER: VHF_B3
FILE DATE: Thu Oct 14 09:32:00 2004	FILE NAME: 220_02049	SHEET NUMBER: 9 OF 14
ENGINEER: S Heald		

REV/ISS	AMENDMENTS	DRAWN	CHKD	D.O.	APVD	DATE
1						



© TAIT ELECTRONICS		A1
TB8100 EXCITER SYNTH		
IPN: 220-02049-02	ISSUE: A	VARIANT NUMBER: VHF_B3
FILE DATE: Thu Oct 14 09:32:15 2004	ENGINEER: S Head	FILE NAME: 220_02049
SHEET NUMBER: 10 OF 14		

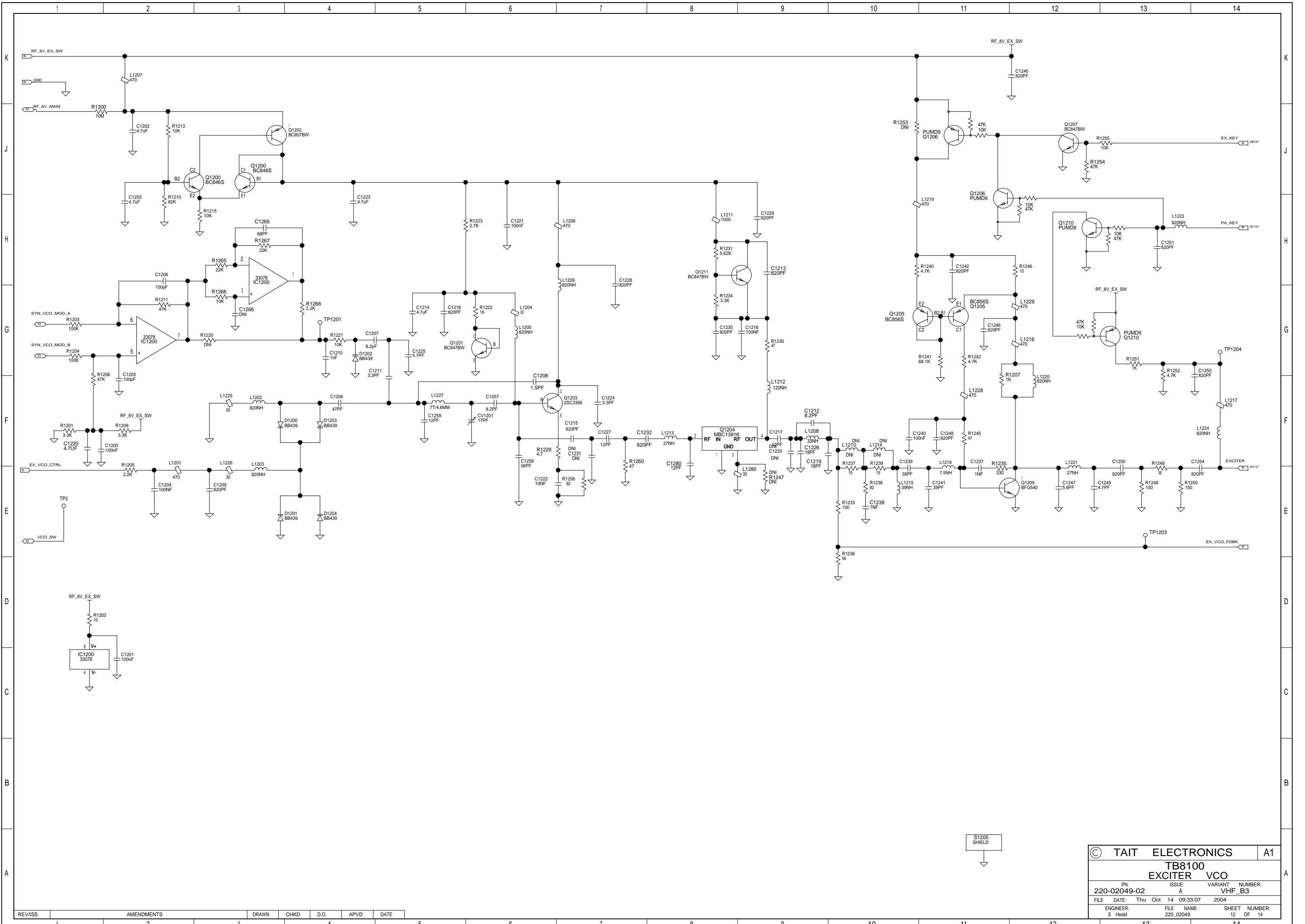
REV/ISS	AMENDMENTS	DRAWN	CHKD	D.O.	APVD	DATE
1						
2						
3						
4						
5						
6						
7						
8						
9						
10						
11						
12						
13						
14						



S1105 SHIELD

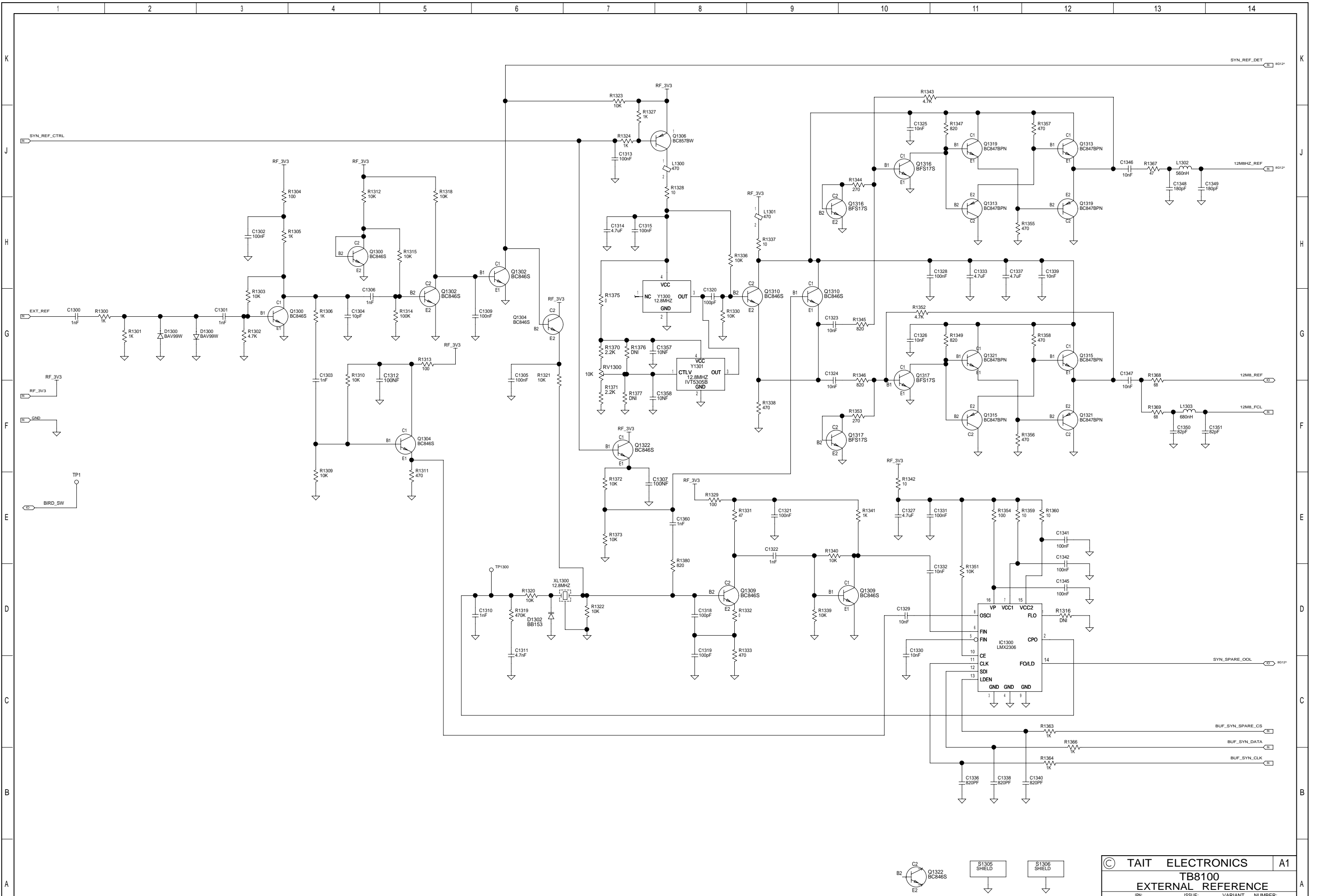
© TAIT ELECTRONICS		A1
TB8100		
RECEIVER VCO		
IPN: 220-02049-02	ISSUE: A	VARIANT NUMBER: VHF_B3
FILE DATE: Thu Oct 14 09:32:44 2004	FILE NAME: 220_02049	SHEET NUMBER: 11 OF 14
ENGINEER: S Heald		

REV/ISS	AMENDMENTS	DRAWN	CHKD	D.O.	APVD	DATE
1						



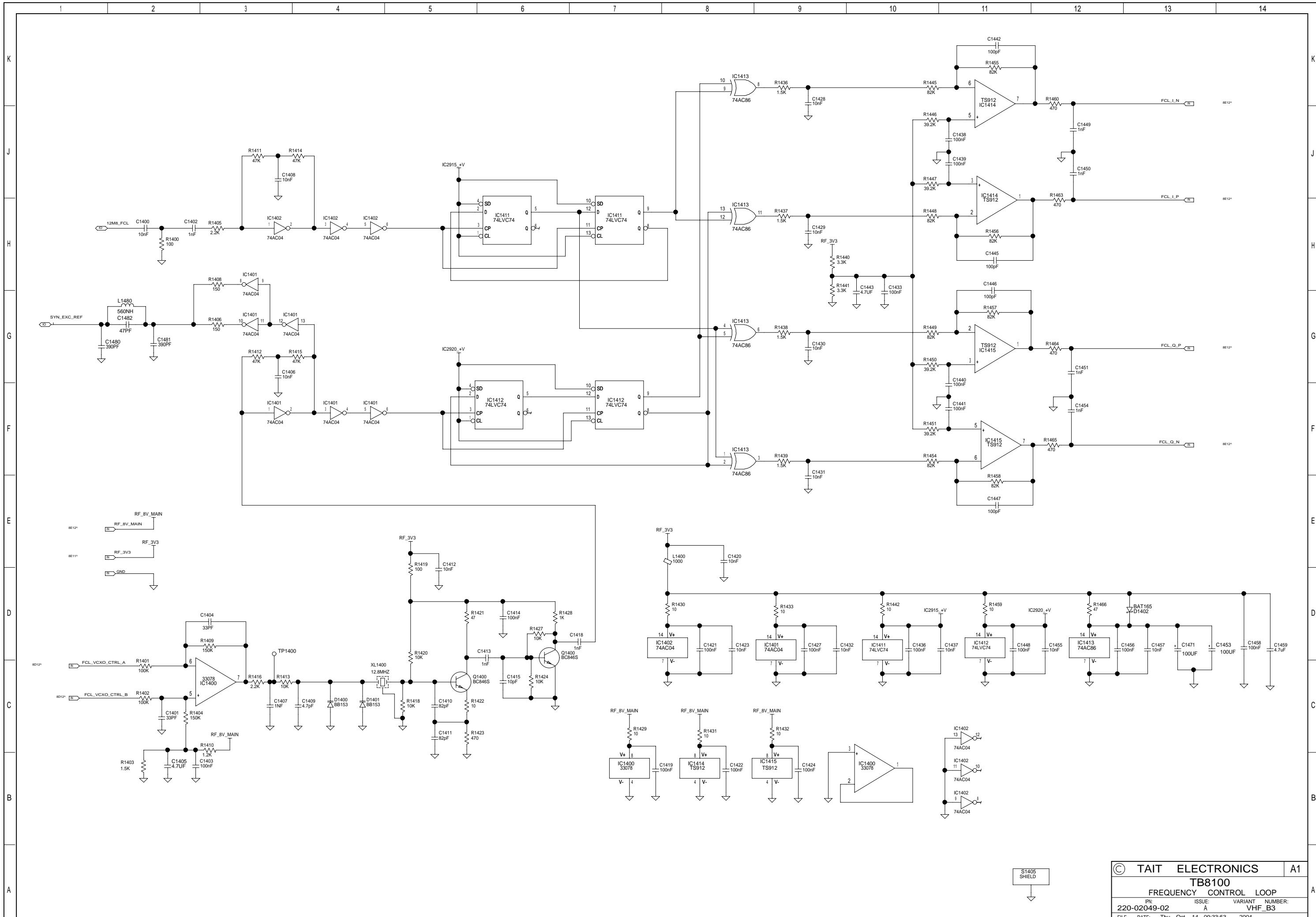
© TAIT ELECTRONICS		A1
TB8100		
EXCITER VCO		
IPN:	ISSUE:	VARIANT NUMBER:
220-02049-02	A	VHF_B3
FILE DATE:	Thu Oct 14 09:33:07	2004
ENGINEER:	FILE NAME:	SHEET NUMBER:
S Heald	220_02049	12 OF 14

REV/ISS	AMENDMENTS	DRAWN	CHKD	D.O.	APVD	DATE
1						
2						
3						
4						
5						
6						
7						
8						
9						
10						
11						
12						
13						
14						



© TAIT ELECTRONICS		A1
TB8100		
EXTERNAL REFERENCE		
IPN: 220-02049-02	ISSUE: A	VARIANT NUMBER: VHF_B3
FILE DATE: Thu Oct 14 09:33:30 2004	FILE NAME: 220_02049	SHEET NUMBER: 13 OF 14
ENGINEER: S Heald	FILE NAME: 220_02049	SHEET NUMBER: 13 OF 14

REV/ISS	AMENDMENTS	DRAWN	CHKD	D.O.	APVD	DATE
1						
2						
3						
4						
5						



© TAIT ELECTRONICS		A1
TB8100		
FREQUENCY CONTROL LOOP		
IPN:	ISSUE:	VARIANT NUMBER:
220-02049-02	A	VHF_B3
FILE DATE:	Thu Oct 14 09:33:53	2004
ENGINEER:	FILE NAME:	SHEET NUMBER:
S Heald	220_02049	14 OF 14

REV/ISS	AMENDMENTS	DRAWN	CHKD	D.O.	APVD	DATE
1						
2						
3						
4						
5						
6						
7						
8						
9						
10						
11						
12						
13						
14						